

Mail Box CS390 (B471)

Mail Box CS390 (B471)

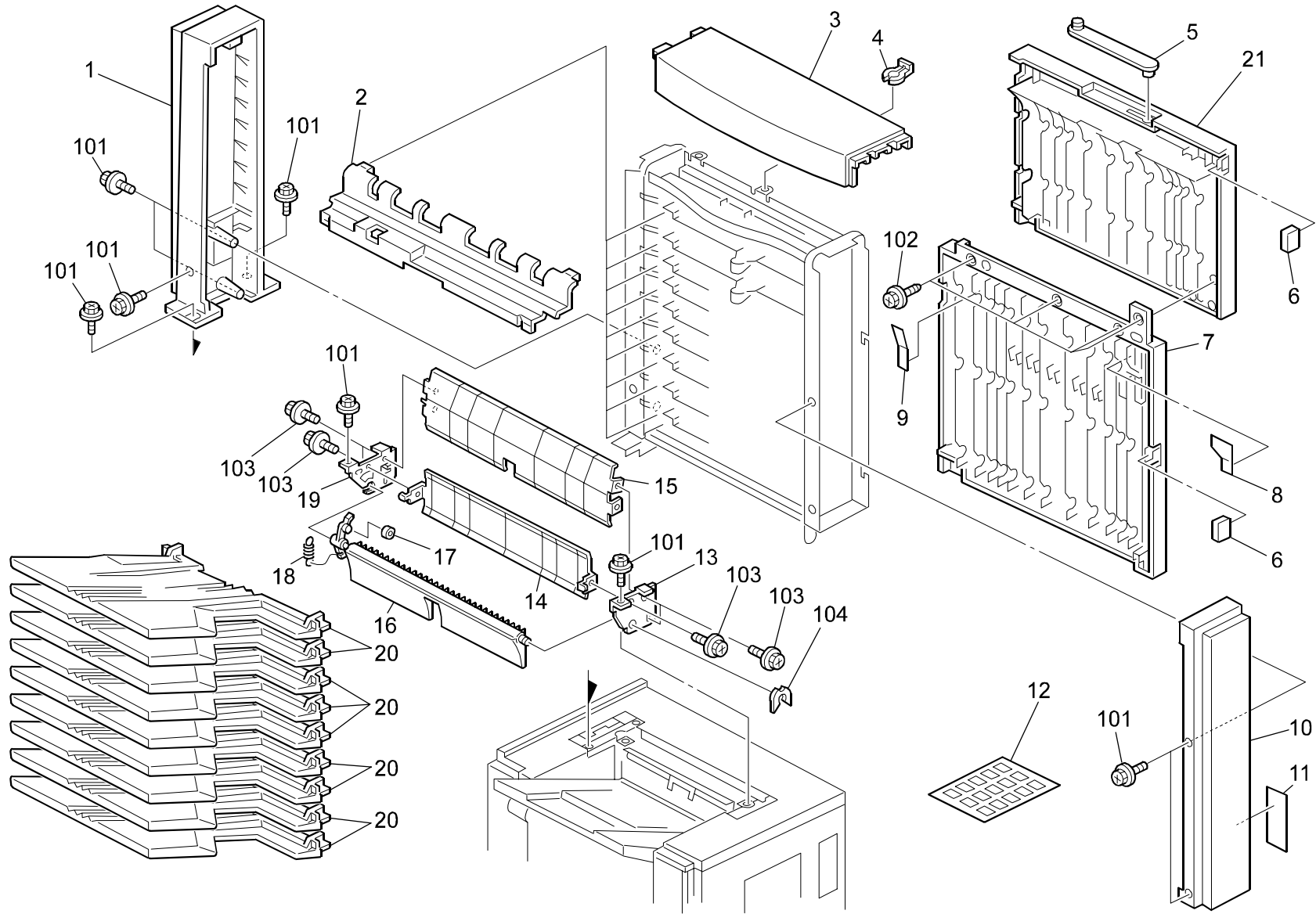
PARTS CATALOG

This catalog gives the numbers and names of parts on this machine.

1.EXTERIOR (B471)	2
2.PAPER EXIT 1 (B471).....	4
3.PAPER EXIT 2 (B471).....	6
4.PAPER EXIT 3 (B471).....	8
5.DECAL AND DOCUMENTS (B471)	10
PARTS INDEX.....	13

June ,10 ' 2002

1.EXTERIOR (B471)

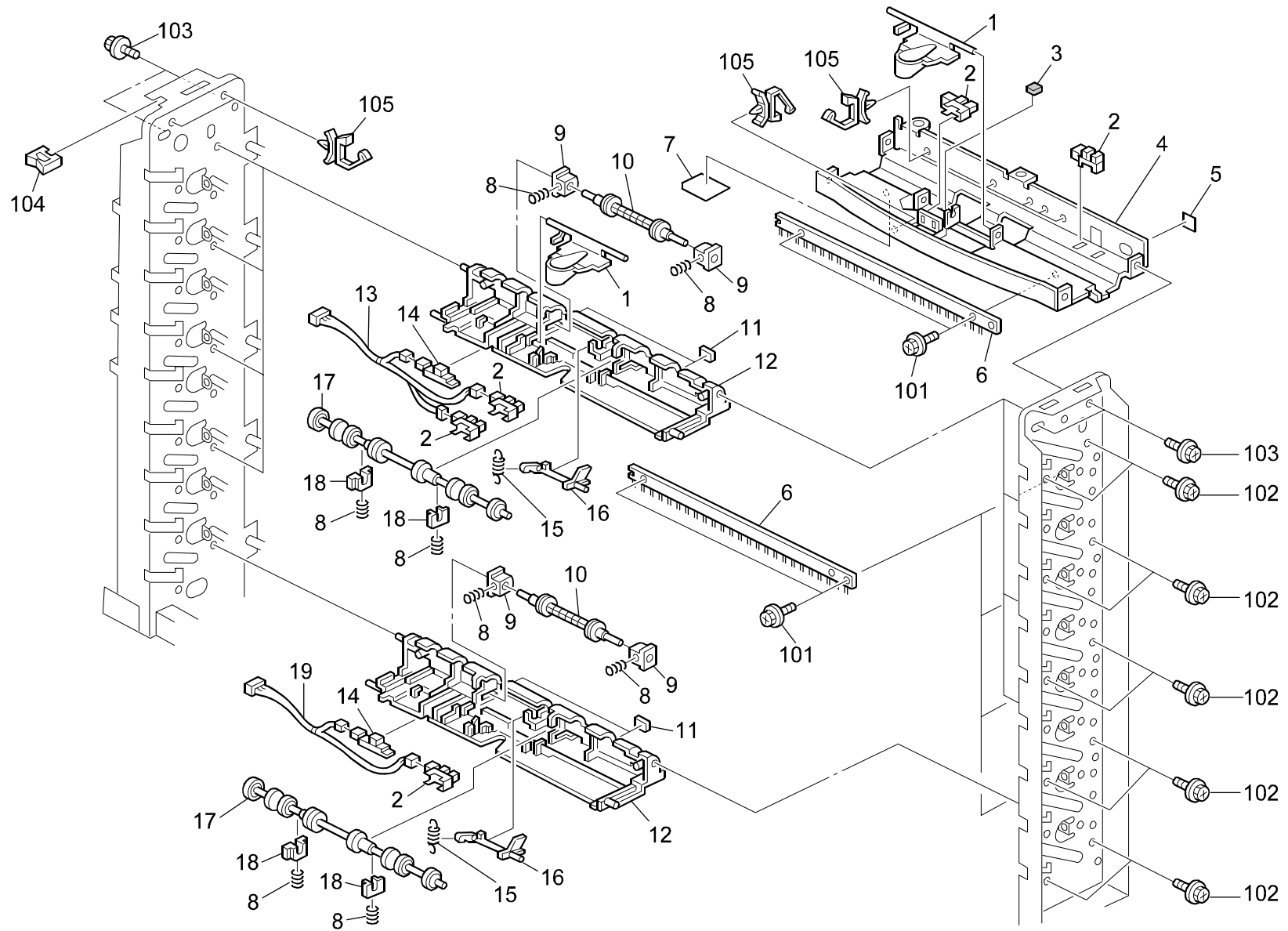


1.EXTERIOR (B471)

Index No.	Part No.	Description	Q'ty Per Assembly
1	B471 1611	Rear Cover	1
2	G566 2281	Cover - Paper Sensor	9
3	B471 1711	Upper Cover	1
4	G312 0097	Separator Ring	1
5	B471 2331	Stopper	1
6	AG07 0014	Magnet Catch	2
7	B471 2321	Lower Cover	1
8	B471 2324	Front Guide	1
9	B471 2323	Rear Guide	1
10	B471 1511	Front Cover	1
11	B471 1551	Decal - Misfeed Removal	1
12	G566 2410	Decal - Bin Display	1
13	B471 6214	Front Side Plate	1
14	B471 6212	Left Guide Plate	1
15	B471 6211	Right Guide Plate	1
16	B471 6222	Exchange Pawl	1
17	A548 1317	Lever Cushion	1
18	B471 6215	Tension Spring	1
19	B471 6213	Inner Side Plate	1
20	B471 6111	Tray	9
21	B471 2322	Upper Cover	1

Index No.	Part No.	Description	Q'ty Per Assembly
101	0451 3008H	Tapping Screw - M3x8	
102	0450 3008B	Tapping Screw - M3x8	
103	0451 3006B	Tapping Screw - M3x6	
104	0805 0089	Retaining Ring - M4	

2.PAPER EXIT 1 (B471)

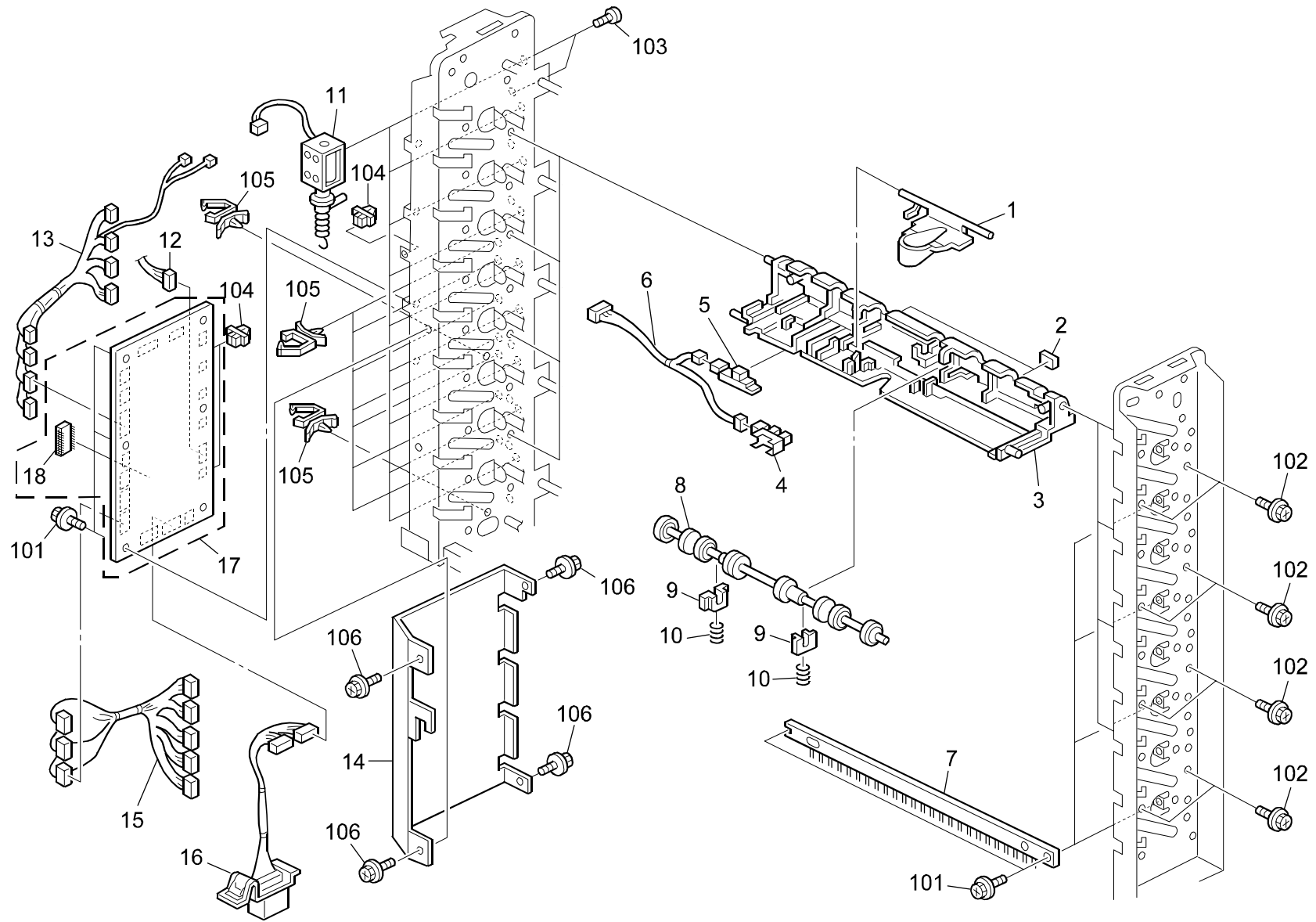


2.PAPER EXIT 1 (B471)

Index No.	Part No.	Description	Q'ty Per Assembly
1	G518 2262	Actuator - Paper Sensor	5
2	AW02 0086	Photointerruptor	11
3	G518 1236	Cushion - 0.5mm	1
4	B471 1131	Upper Stay	1
5	B471 1135	Sheet - Cover	1
6	B471 2611	Discharge Brush	5
7	G518 1237	Sheet - Shielding Plate	1
8	AA06 3337	Compression Spring	20
9	B352 2205	Bushing - Driven Roller	10
10	AF02 2097	Driven Roller	5
11	G518 2291	Cushion - Guide Plate	10
12	G518 2212	Guide Plate	5
13	B471 5360	Relay Harness - 3BIN	4
14	AW01 0088	Sensor GP2A200LCS - Assembly	5
15	AA06 0801	Tension Spring	5
16	G518 2272	Transport Actuator	5
17	G312 2114	Driven Roller - 23mm	5
18	AA08 0232	Bushing - M4	10
19	B471 5340	Relay Harness - 1BIN	1

Index No.	Part No.	Description	Q'ty Per Assembly
101	0451 3006B	Tapping Screw - M3x6	
102	0450 3008B	Tapping Screw - M3x8	
103	0802 5276	Tapping Screw With Washer - M3x6	
104	1105 0328	Harness Clamp - ES-0505	
105	1105 0511	Harness Clamp - LWS-0306ZC	

3.PAPER EXIT 2 (B471)

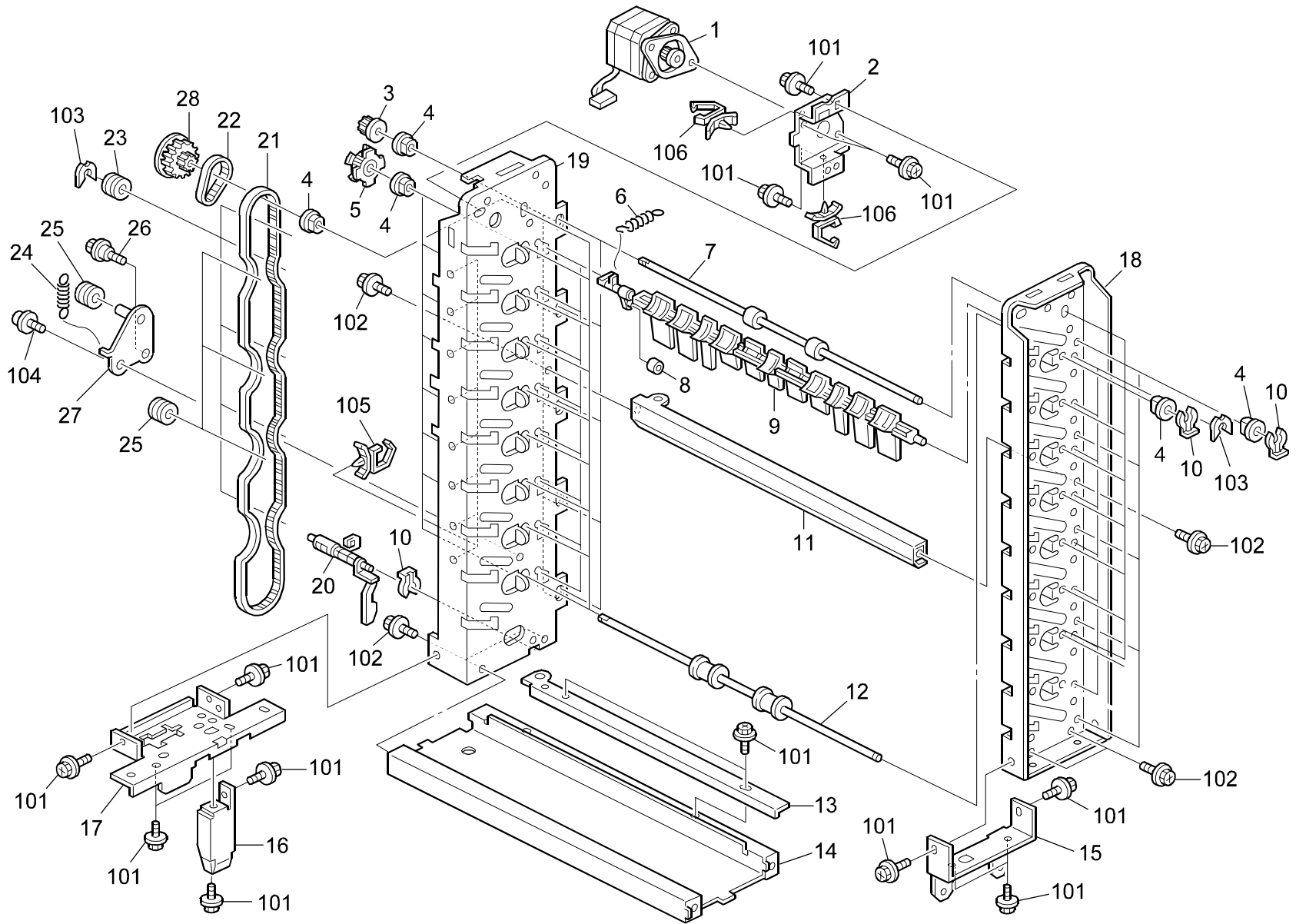


3.PAPER EXIT 2 (B471)

Index No.	Part No.	Description	Q'ty Per Assembly
1	G518 2262	Actuator - Paper Sensor	4
2	G518 2291	Cushion - Guide Plate	8
3	G518 2212	Guide Plate	4
4	AW02 0086	Photointerruptor	4
5	AW01 0088	Sensor GP2A200LCS - Assembly	4
6	B471 5350	Relay Harness - 2BIN	4
7	B471 2611	Discharge Brush	4
8	G312 2114	Driven Roller - 23mm	4
9	AA08 0232	Bushing - M4	8
10	AA06 3337	Compression Spring	8
11	G518 2710	DC Solenoid - 24V 3.8W	9
12	B471 5320	Solenoid Harness	1
13	B471 5300	Upper Harness	1
14	B471 5511	Bracket - Main Control Board	1
15	B471 5310	Lower Harness	1
16	B471 5330	Interface Harness	1
17	B471 5110	Main Control Board	1
18	B471 5120	EPROM Main Control	1

Index No.	Part No.	Description	Q'ty Per Assembly
101	0451 3006B	Tapping Screw - M3x6	
102	0450 3008B	Tapping Screw - M3x8	
103	0313 0030B	Philips Pan Head Screw - M3x3	
104	1105 0326	Locking Support	
105	1105 0511	Harness Clamp - LWS-0306ZC	
106	0802 5276	Tapping Screw With Washer - M3x6	

4.PAPER EXIT 3 (B471)



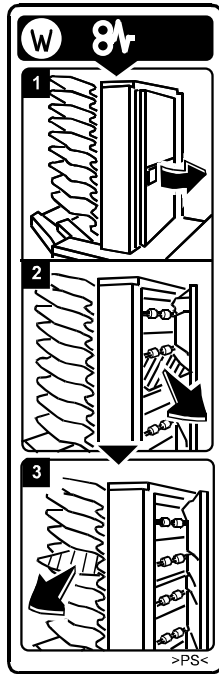
4.PAPER EXIT 3 (B471)

Index No.	Part No.	Description	Q'ty Per Assembly
1	B386 4151	Stepper Moter - DC2.4V 1.2A	1
2	B471 2511	Stepper Motor Bracket	1
3	AB03 0639	Timing Pulley - T26 S2M	5
4	5053 0447	Bushing - 6mm	28
5	B471 2115	Timing Pulley - T28S2M	8
6	AA06 0802	Tension Spring	8
7	AF02 0477	Transport Roller	5
8	A548 1317	Lever Cushion	8
9	G518 2412	Exit Polarization Pawl	8
10	G312 0097	Separator Ring	15
11	B471 1155	Middle Stay	1
12	AF02 0478	Exit Roller	9
13	B471 1145	Lower Guide Stay	1
14	B471 1141	Lower Stay	1
15	B471 1165	Front Bracket	1
16	B471 1162	Rear Guide Bracket	1
17	B471 1161	Rear Bracket	1
18	B471 1111	Front Side Plate	1
19	B471 1120	Rear Side Plate	1
20	B471 2811	Pawl Lever	1
21	B471 2531	Timing Belt	1
22	AA04 3531	Timing Belt - B40S2M144	1
23	A548 2139	Pulley	5
24	B471 2256	Tension Spring - 4.2N	1
25	B312 1615	Tension Roller	4
26	A697 1125	Stepped Screw - Lever	1
27	B471 2160	Tightener Bracket	1
28	AB03 0699	Timing Pulley - T57 T28 S2M	1

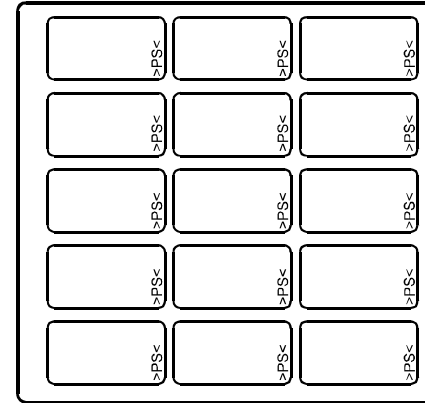
Index No.	Part No.	Description	Q'ty Per Assembly
101	0451 3006B	Tapping Screw - M3x6	
102	0802 5276	Tapping Screw With Washer - M3x6	
103	0805 0089	Retaining Ring - M4	
104	0951 4006W	Philips Screw With Flat Washer - M4x6	
105	1105 0487	Harness Clamp	
106	1105 0511	Harness Clamp - LWS-0306ZC	

5.DECAL AND DOCUMENTS (B471)

1



2



5.DECAL AND DOCUMENTS (B471)

Index No.	Part No.	Description	Q'ty Per Assembly
1	B471 1551	Decal - Misfeed Removal	1
2	G566 2410	Decal - Bin Display	1

Index No.	Part No.	Description	Q'ty Per Assembly
-----------	----------	-------------	-------------------

Parts Index

Parts Index

Part No.	Description	Page and Index No.
B471 1111	Front Side Plate	9 - 18
B471 1120	Rear Side Plate	9 - 19
B471 1131	Upper Stay	5 - 4
B471 1135	Sheet - Cover	5 - 5
B471 1141	Lower Stay	9 - 14
B471 1145	Lower Guide Stay	9 - 13
B471 1155	Middle Stay	9 - 11
B471 1161	Rear Bracket	9 - 17
B471 1162	Rear Guide Bracket	9 - 16
B471 1165	Front Bracket	9 - 15
B471 1511	Front Cover	3 - 10
B471 1551	Decal - Misfeed Removal	3 - 11
B471 1551	Decal - Misfeed Removal	11 - 1
B471 1611	Rear Cover	3 - 1
B471 1711	Upper Cover	3 - 3
B471 2115	Timing Pulley - T28S2M	9 - 5
B471 2160	Tightener Bracket	9 - 27
B471 2256	Tension Spring - 4.2N	9 - 24
B471 2321	Lower Cover	3 - 7
B471 2322	Upper Cover	3 - 21
B471 2323	Rear Guide	3 - 9
B471 2324	Front Guide	3 - 8
B471 2331	Stopper	3 - 5
B471 2511	Stepper Motor Bracket	9 - 2
B471 2531	Timing Belt	9 - 21
B471 2611	Discharge Brush	7 - 7
B471 2611	Discharge Brush	5 - 6
B471 2811	Pawl Lever	9 - 20
B471 5110	Main Control Board	7 - 17
B471 5120	EPROM Main Control	7 - 18
B471 5300	Upper Harness	7 - 13
B471 5310	Lower Harness	7 - 15
B471 5320	Solenoid Harness	7 - 12
B471 5330	Interface Harness	7 - 16
B471 5340	Relay Harness - 1BIN	5 - 19

Part No.	Description	Page and Index No.
B471 5350	Relay Harness - 2BIN	7 - 6
B471 5360	Relay Harness - 3BIN	5 - 13
B471 5511	Bracket - Main Control Board	7 - 14
B471 6111	Tray	3 - 20
B471 6211	Right Guide Plate	3 - 15
B471 6212	Left Guide Plate	3 - 14
B471 6213	Inner Side Plate	3 - 19
B471 6214	Front Side Plate	3 - 13
B471 6215	Tension Spring	3 - 18
B471 6222	Exchange Pawl	3 - 16

Part No.	Description	Page and Index No.
A548 1317	Lever Cushion	9 - 8
A548 1317	Lever Cushion	3 - 17
A548 2139	Pulley	9 - 23
A697 1125	Stepped Screw - Lever	9 - 26
B312 1615	Tension Roller	9 - 25
B352 2205	Bushing - Driven Roller	5 - 9
B386 4151	Stepper Moter - DC2.4V 1.2A	9 - 1
G312 0097	Separator Ring	9 - 10
G312 0097	Separator Ring	3 - 4
G312 2114	Driven Roller - 23mm	5 - 17
G312 2114	Driven Roller - 23mm	7 - 8
G518 1236	Cushion - 0.5mm	5 - 3
G518 1237	Sheet - Shielding Plate	5 - 7
G518 2212	Guide Plate	5 - 12
G518 2212	Guide Plate	7 - 3
G518 2262	Actuator - Paper Sensor	5 - 1
G518 2262	Actuator - Paper Sensor	7 - 1
G518 2272	Transport Actuator	5 - 16
G518 2291	Cushion - Guide Plate	5 - 11
G518 2291	Cushion - Guide Plate	7 - 2
G518 2412	Exit Polarization Pawl	9 - 9
G518 2710	DC Solenoid - 24V 3.8W	7 - 11
G566 2281	Cover - Paper Sensor	3 - 2
G566 2410	Decal - Bin Display	3 - 12
G566 2410	Decal - Bin Display	11 - 2

Part No.	Description	Page and Index No.
AA04 3531	Timing Belt - B40S2M144	9 - 22
AA06 0801	Tension Spring	5 - 15
AA06 0802	Tension Spring	9 - 6
AA06 3337	Compression Spring	5 - 8
AA06 3337	Compression Spring	7 - 10
AA08 0232	Bushing - M4	5 - 18
AA08 0232	Bushing - M4	7 - 9
AB03 0639	Timing Pulley - T26 S2M	9 - 3
AB03 0699	Timing Pulley - T57 T28 S2M	9 - 28
AF02 0477	Transport Roller	9 - 7
AF02 0478	Exit Roller	9 - 12
AF02 2097	Driven Roller	5 - 10
AG07 0014	Magnet Catch	3 - 6
AW01 0088	Sensor GP2A200LCS - Assembly	5 - 14
AW01 0088	Sensor GP2A200LCS - Assembly	7 - 5
AW02 0086	Photointerruptor	7 - 4
AW02 0086	Photointerruptor	5 - 2

Part No.	Description	Page and Index No.
0313 0030B	Philips Pan Head Screw - M3x3	7 -103
0450 3008B	Tapping Screw - M3x8	3 -102
0450 3008B	Tapping Screw - M3x8	5 -102
0450 3008B	Tapping Screw - M3x8	7 -102
0451 3006B	Tapping Screw - M3x6	7 -101
0451 3006B	Tapping Screw - M3x6	3 -103
0451 3006B	Tapping Screw - M3x6	9 -101
0451 3006B	Tapping Screw - M3x6	5 -101
0451 3008H	Tapping Screw - M3x8	3 -101
0802 5276	Tapping Screw With Washer - M3x6	5 -103
0802 5276	Tapping Screw With Washer - M3x6	7 -106
0802 5276	Tapping Screw With Washer - M3x6	9 -102
0805 0089	Retaining Ring - M4	3 -104
0805 0089	Retaining Ring - M4	9 -103
0951 4006W	Philips Screw With Flat Washer - M4x6	9 -104
1105 0326	Locking Support	7 -104
1105 0328	Harness Clamp - ES-0505	5 -104
1105 0487	Harness Clamp	9 -105
1105 0511	Harness Clamp - LWS-0306ZC	5 -105
1105 0511	Harness Clamp - LWS-0306ZC	7 -105
1105 0511	Harness Clamp - LWS-0306ZC	9 -106

Part No.	Description	Page and Index No.
5053 0447	Bushing - 6mm	9 - 4